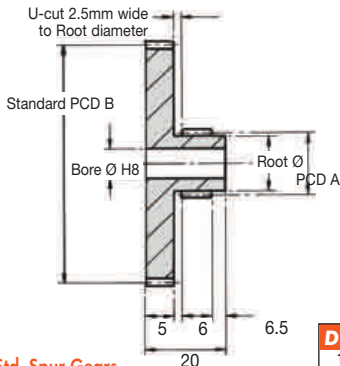


Double Spur Gears

Materials

0.5, 0.8 MOD

STD : Steel 214M15/045M10
ALTERNATIVES : Stainless, Brass, Tufnol or Delrin



20° Pressure Angle

Other numbers of teeth available

Torque is dependent upon the type of pinions used

For Torque Checks see Std. Spur Gears

For Corrected Teeth see Technical pages

NOTE: Certain sizes may need to be manufactured in 2 pieces

ALL DIMENSIONS IN MILLIMETRES

DISCOUNTS

Quantity	List Price
1 - 5	-
6 - 19	- 12%
20 - 39	- 25%
40 - 59	- 33%
60 - 99	- 37%
100 - 200	- 42%

MOD 0.5,0.8

Double Gears

PART NUMBER	PITCH	TEETH GEAR A	PCD GEAR A	TEETH GEAR B	PCD GEAR B	BORE Ø	ROOT Ø	PRICE EACH 1 - 5
DG0.5-16/48	0.5	16	8.50	48	24.00	4	6.45	£28.69
DG0.5-16/60	0.5	16	8.50	60	30.00	4	6.45	£29.07
DG0.5-16/72	0.5	16	8.50	72	36.00	4	6.45	£29.61
DG0.5-16/96	0.5	16	8.50	96	48.00	4	6.45	£30.09
DG0.5-16/120	0.5	16	8.50	120	60.00	4	6.45	£30.96
DG0.5-16/144	0.5	16	8.50	144	72.00	4	6.45	£31.58
DG0.5-24/60	0.5	24	12.00	60	30.00	6	10.45	£29.07
DG0.5-24/72	0.5	24	12.00	72	36.00	6	10.45	£29.61
DG0.5-24/96	0.5	24	12.00	96	48.00	6	10.45	£30.09
DG0.5-24/120	0.5	24	12.00	120	60.00	6	10.45	£30.96
DG0.5-24/144	0.5	24	12.00	144	72.00	6	10.45	£31.58
DG0.8-15/30	0.8	15	12.80	30	24.00	6	9.61	£28.69
DG0.8-15/45	0.8	15	12.80	45	36.00	6	9.61	£29.07
DG0.8-15/60	0.8	15	12.80	60	48.00	6	9.61	£29.61
DG0.8-15/75	0.8	15	12.80	75	60.00	6	9.61	£30.09
DG0.8-15/90	0.8	15	12.80	90	72.00	6	9.61	£30.96
DG0.8-15/96	0.8	15	12.80	96	76.80	6	9.61	£31.58
DG0.8-20/48	0.8	20	16.00	48	38.40	6	13.61	£29.07
DG0.8-20/56	0.8	20	16.00	56	44.80	6	13.61	£29.61
DG0.8-20/64	0.8	20	16.00	64	51.20	6	13.61	£30.09
DG0.8-20/80	0.8	20	16.00	80	64.00	6	13.61	£30.96
DG0.8-20/96	0.8	20	16.00	96	76.80	6	13.61	£31.58

18.4



Unit 14, Foxwood Ind. Park, Foxwood Rd. Chesterfield, Derbyshire S41 9RN
Telephone +44(0)1246 268080 Fax +44(0)1246 260003